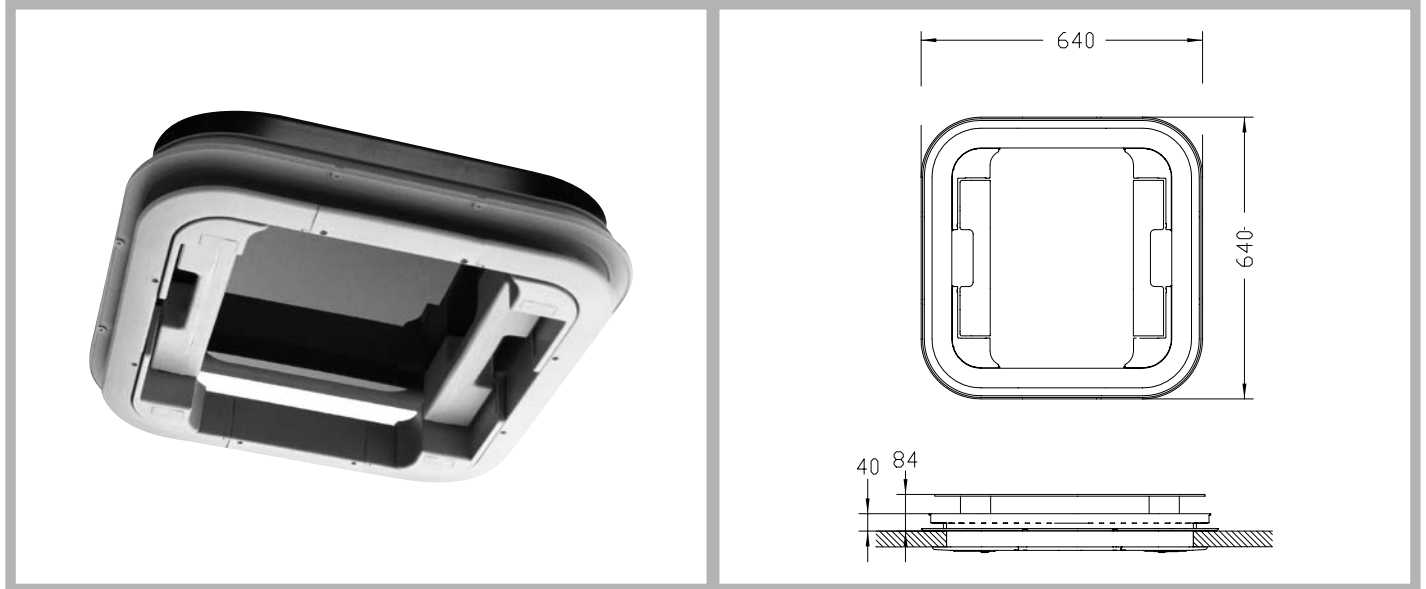


| <u>Dakluiken</u> | <u>Dachluken</u> | <u>Roof Hatches</u> |
|------------------|------------------|---------------------|
| | 530 x 530 | Manual |



TECHNICAL DETAILS

| Part. Nr. | Description | Aperture Size | Radius | Remarks |
|--------------|------------------------------|---|--------|--|
| 90-5000 | Roof Hatch Manual | 530 ⁺⁵ ₋₀ x 530 ⁺⁵ ₋₀ | R80 | UV Transmission 19%, Heat Transmission 60%, Light Transmission 48% |
| 90-5000-DARK | Roof Hatch Manual Dark Glass | 530 ⁺⁵ ₋₀ x 530 ⁺⁵ ₋₀ | R80 | UV Transmission 6%, Heat Transmission 16%, Light Transmission 17% |

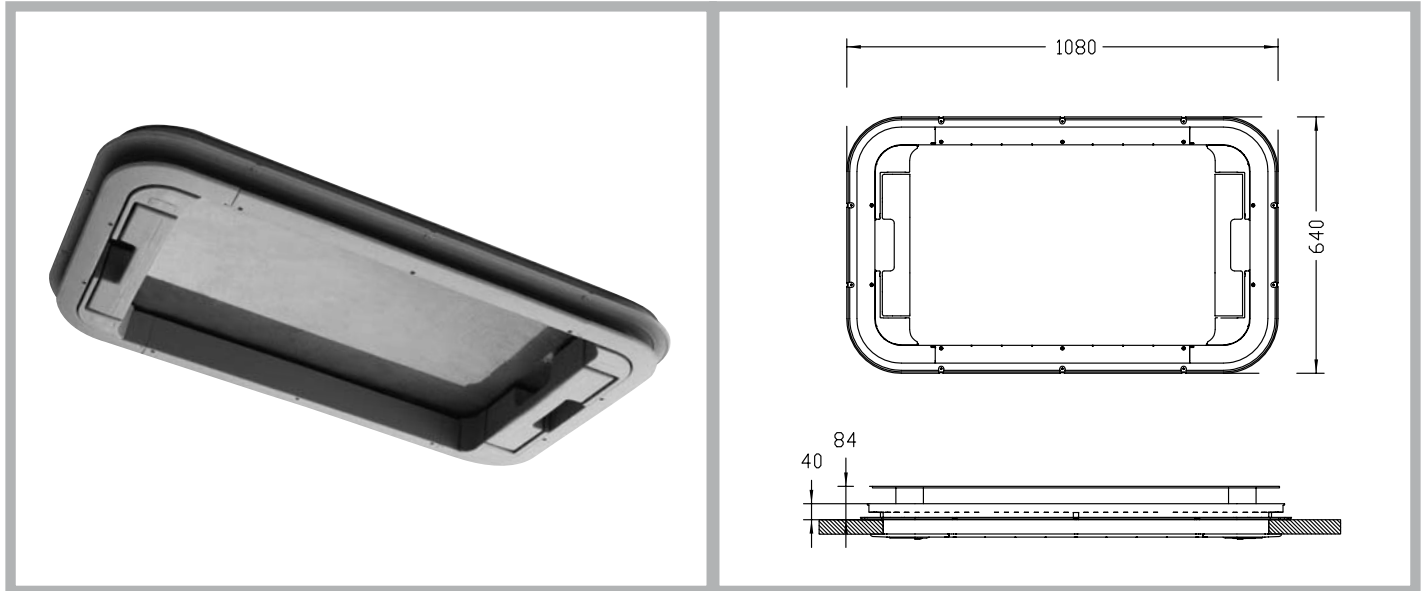
- Glass Dome homologated ECE 43R
- Suits roof thickness 30mm - 70mm
- High Quality Gaskets
- Internal frame easy to mount in outside frame
- Pre-drilled mounting holes in outside frame

TECHNISCHE VERANDERINGEN VOORBEHOUDEN!

TECHNISCHE ANDERUNGEN VORBEHALTEN!

TECHNICAL CHANGES RESERVED!

| <u>Dakluiken</u> | <u>Dachluken</u> | <u>Roof Hatches</u> |
|------------------|------------------|---------------------|
| | 970 x 530 | Manual |



TECHNICAL DETAILS

| Part. Nr. | Description | Aperture Size | Radius | Remarks |
|--------------|------------------------------|--|--------|--|
| 90-6000 | Roof Hatch Manual | 970 ⁺¹⁰ ₋₀ x 530 ⁺⁵ ₋₀ | R80 | UV Transmission 19%, Heat Transmission 60%, Light Transmission 48% |
| 90-6000-DARK | Roof Hatch Manual Dark Glass | 970 ⁺¹⁰ ₋₀ x 530 ⁺⁵ ₋₀ | R80 | UV Transmission 6%, Heat Transmission 16%, Light Transmission 17% |

- Emergency exit according EC2001/85
- Glass Dome homologated ECE 43R
- Suits roof thickness 30mm - 70mm
- High Quality Gaskets
- Internal frame easy to mount in outside frame
- Pre-drilled mounting holes in outside frame

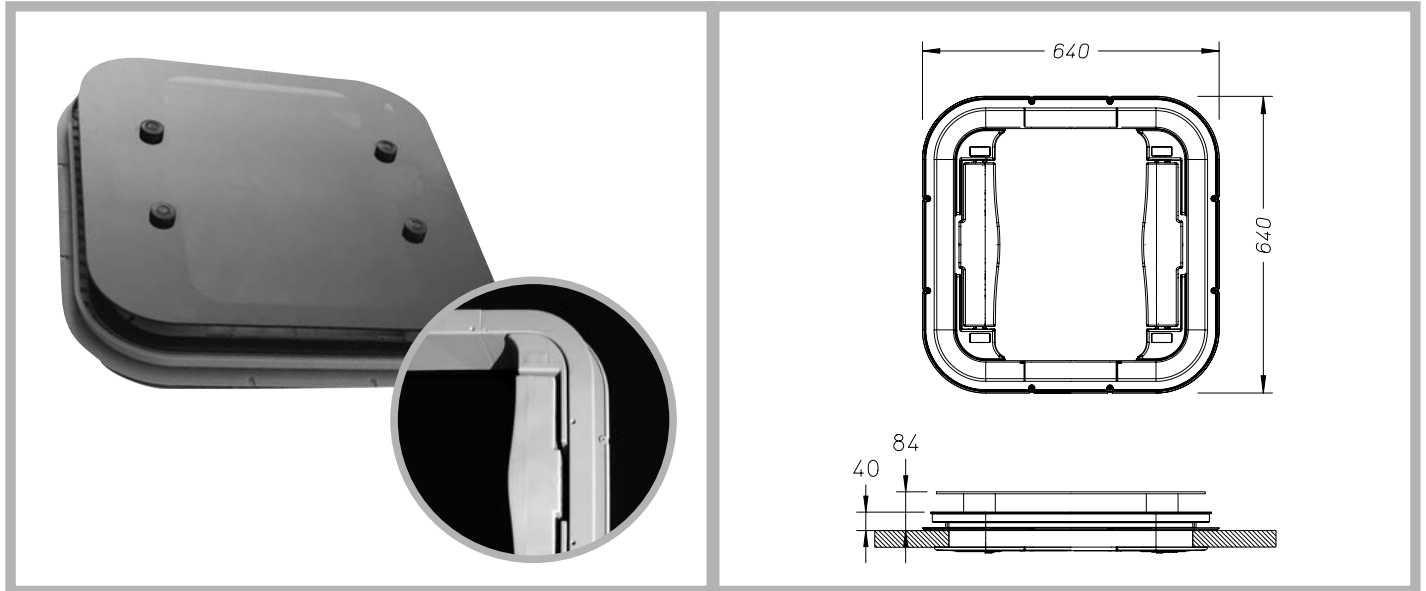
TECHNISCHE VERANDERINGEN VOORBEHOUDEN!

TECHNISCHE ANDERUNGEN VORBEHALTEN!

TECHNICAL CHANGES RESERVED!

| <u>Dakluiken</u> | <u>Dachluken</u> | <u>Roof Hatches</u> |
|------------------|------------------|---------------------|
| | 530 x 530 | Electric |

EMC APPROVED



TECHNICAL DETAILS

| Part. Nr. | Description | Aperture Size | Radius | Remarks |
|-----------|------------------------------|---------------------------------------|--------|---|
| 90-5000-E | Roof Hatch Electric 24 Volt* | 530 ⁺⁵ x 530 ⁺⁵ | R80 | UV Transmission 6%, Heat Transmission 16%, Light Transmission 17% |

* For 12 Volt application, use our 12V to 24V Converter (89-STEP12-24)

- Glass Dome homologated ECE 43R
- Dark tinted glass
- Homologated according EC 2004/104
- Suits roof thickness 30mm - 70mm
- High Quality Gaskets
- Internal frame easy to mount in outside frame
- Pre-drilled mounting holes in outside frame

*** Use always our control unit 30-6000 in combination with the electric roofhatch!**

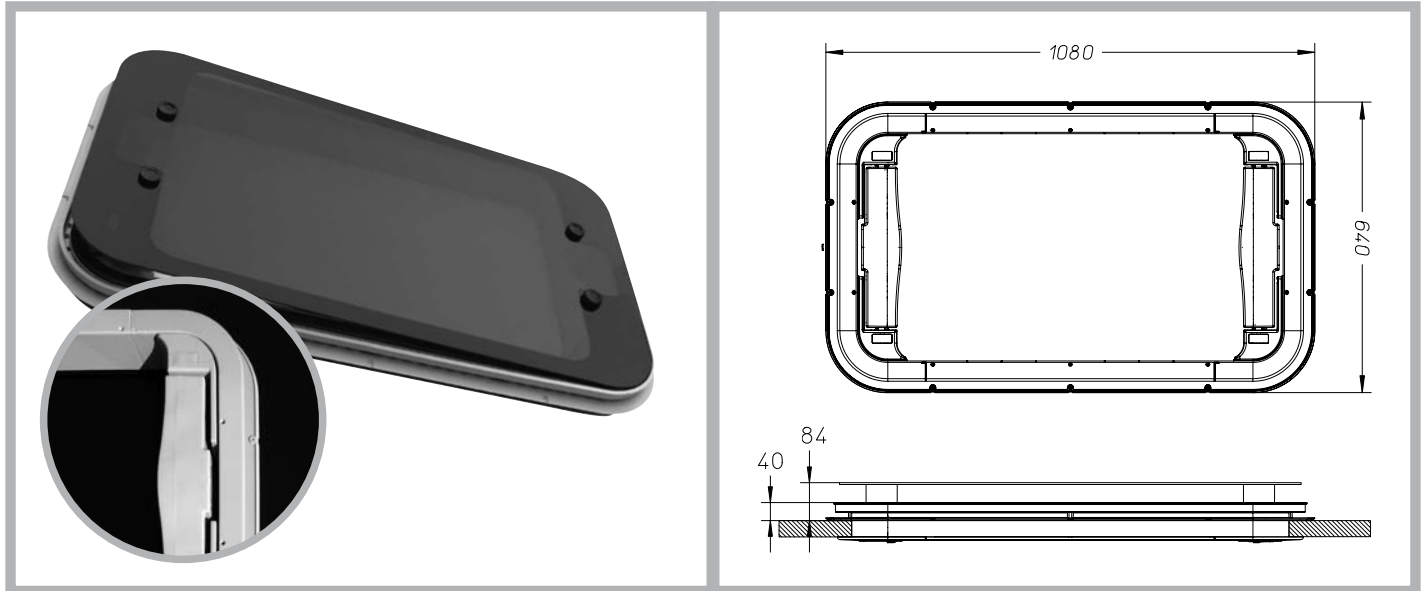
TECHNISCHE VERANDERINGEN VOORBEHOUDEN!

TECHNISCHE ANDERUNGEN VORBEHALTEN!

TECHNICAL CHANGES RESERVED!

| <u>Dakluiken</u> | <u>Dachluken</u> | <u>Roof Hatches</u> |
|------------------|------------------|---------------------|
| | 970 x 530 | Electric |

EMC APPROVED



TECHNICAL DETAILS

| Part. Nr. | Description | Aperture Size | Radius | Remarks |
|-----------|------------------------------|--|--------|---|
| 90-6000-E | Roof Hatch Electric 24 Volt* | 970 ⁺¹⁰ x 530 ⁺⁵ | R80 | UV Transmission 6%, Heat Transmission 16%, Light Transmission 17% |

* For 12 Volt application, use our 12V to 24V Converter (89-STEP12-24)

- Emergency exit according EC2001/85
- Glass Dome homologated ECE 43R
- Standard Dark tinted glass
- Homologated according EC 2004/104
- Suits roof thickness 30mm - 70mm
- High Quality Gaskets
- Internal frame easy to mount in outside frame
- Pre-drilled mounting holes in outside frame

*** Use always our control unit 30-6000 in combination with the electric roofhatch!**

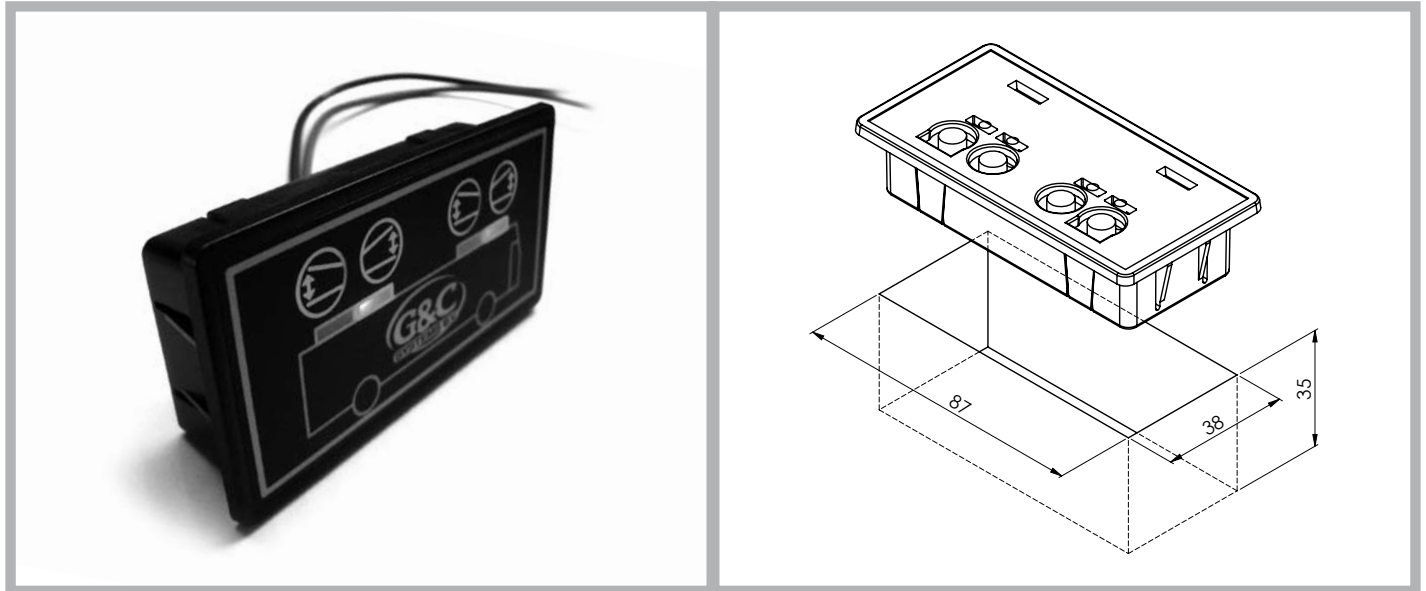
TECHNISCHE VERANDERINGEN VOORBEHOUDEN!

TECHNISCHE ANDERUNGEN VORBEHALTEN!

TECHNICAL CHANGES RESERVED!

| | | |
|---------------------------------|--|--------------------------------------|
| <u>Dakluik Besturing</u> | <u>Elektronisch Bedienteil für Dachluke</u> | <u>Roofhatch control unit</u> |
| | | |

EMC APPROVED



TECHNICAL DETAILS

| Part. Nr. | Description | Voltage | Outside Dimensions | Remarks |
|-----------|---|----------|--------------------|---------|
| 30-6000 | Control Unit 24V for Electric Roofhatch | 24 Volt* | 96 x 49 x 28 mm | |

* For 12 Volt application, use our 12V to 24V Converter (89-STEP12-24)

- Homologated according EC 2004/104
- The unit 30-6000 can control one or two electrical operated roof hatches
- To open/close front and backside of the roofhatch
- The position of the dome can be seen on the display (green Led's)
- The unit closes automatically when the ignition key is turned off
- Even when the ignition key is off, the hatch can be opened for ventilation
- The panel display has a current save function, reacting to usage
- Illumination with Orange Led's for the push buttons

TECHNISCHE VERANDERINGEN VOORBEHOUDEN!

TECHNISCHE ANDERUNGEN VORBEHALTEN!

TECHNICAL CHANGES RESERVED!



G&C Systems B.V.
Kazemat 7
3905 NR VEENENDAAL
The Netherlands

Phone: +31 (0)318 576744
Fax: +31 (0)318 576733
Internet: www.gnc-systems.com
E-mail: info@gnc-systems.com

Dakluiken / Dachluken / Roof Hatches

Hoofdstuk 6.14