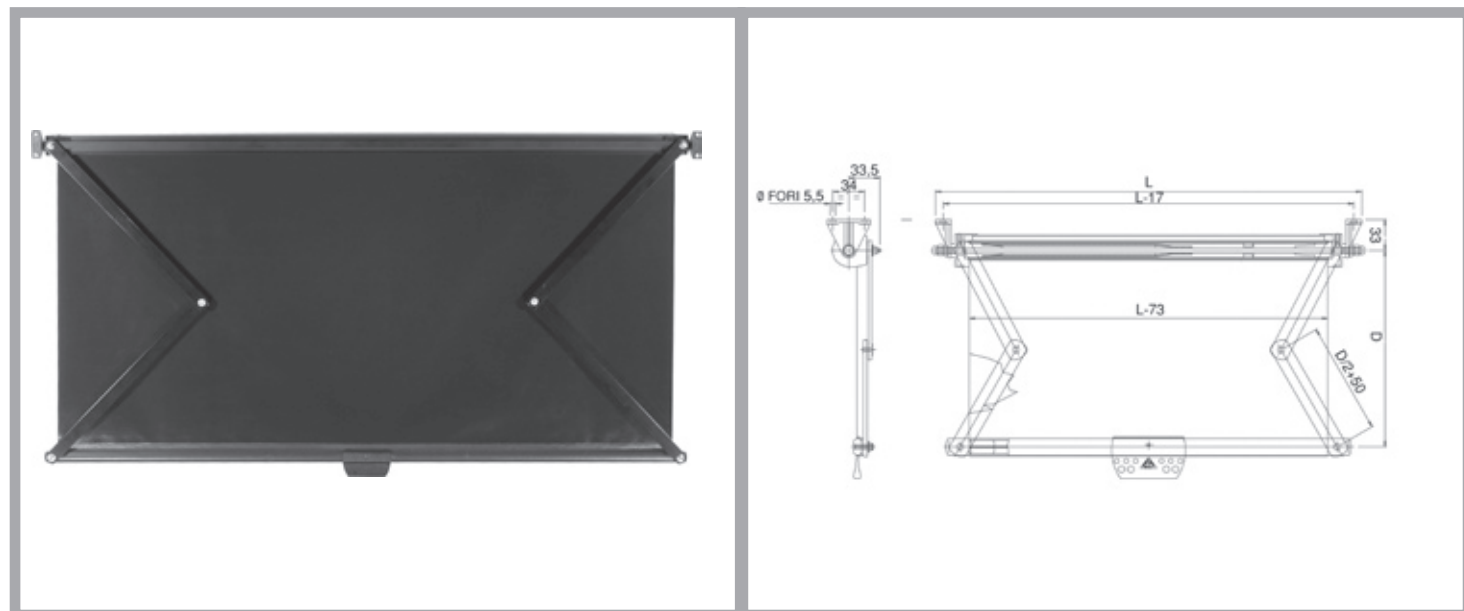


<u>Rol gordijnen</u>	<u>Rollosysteme</u>	<u>Roller Blinds</u>



STANDARD FEATURES

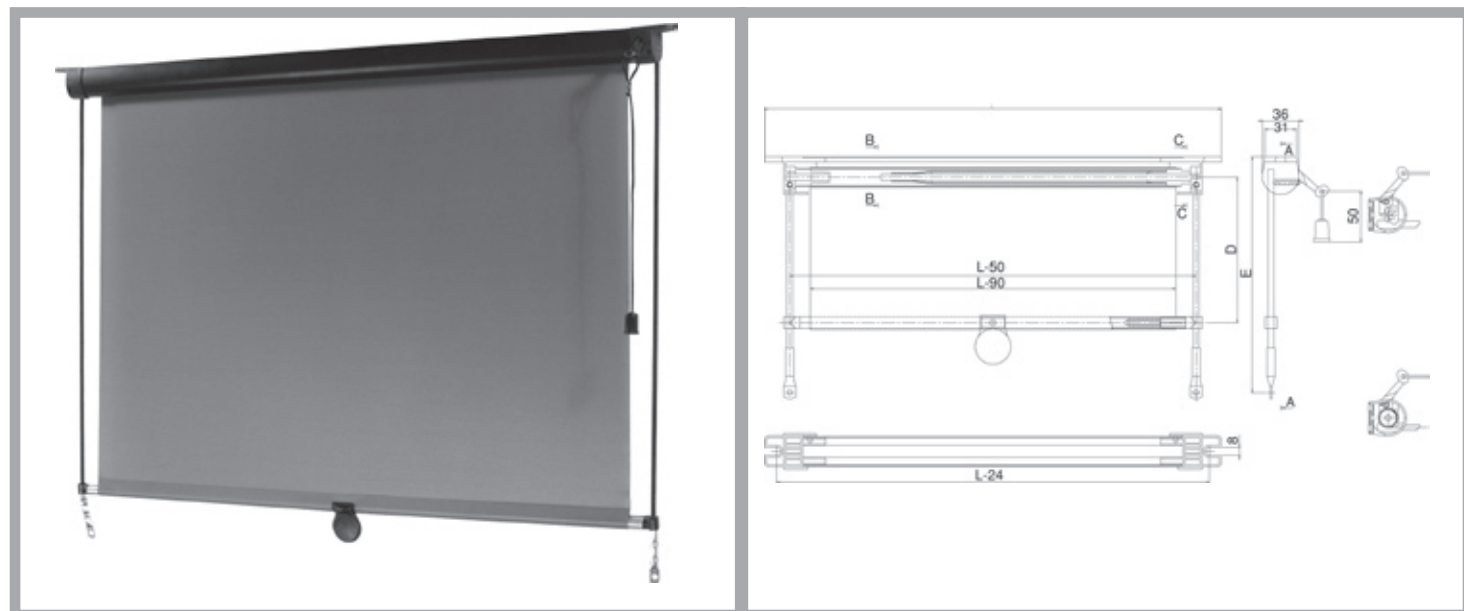
- Fixation brackets dimensions 52 x 46 mm
- Scissors arm-system
- The material drop can be blocked in any position
- No need for guide-rods
- It can be mounted either on the wall or on the roof without any modification

TECHNISCHE VERANDERINGEN VOORBEHOUDEN!

TECHNISCHE ANDERUNGEN VORBEHALTEN!

TECHNICAL CHANGES RESERVED!

<u>Rol gordijnen</u>	<u>Rollosysteme</u>	<u>Roller Blinds</u>



STANDARD FEATURES

- Fixation brackets dimensions 35 x 42 mm
- A stop lever enables to block the material drop in any position
- The guide rods can be specially shaped for the customer
- They can even be U shaped and fix both edges on the blind avoiding so the need of guide-rod stops.
- Only roof mounting

TECHNISCHE VERANDERINGEN VOORBEHOUDEN!

TECHNISCHE ANDERUNGEN VORBEHALTEN!

TECHNICAL CHANGES RESERVED!



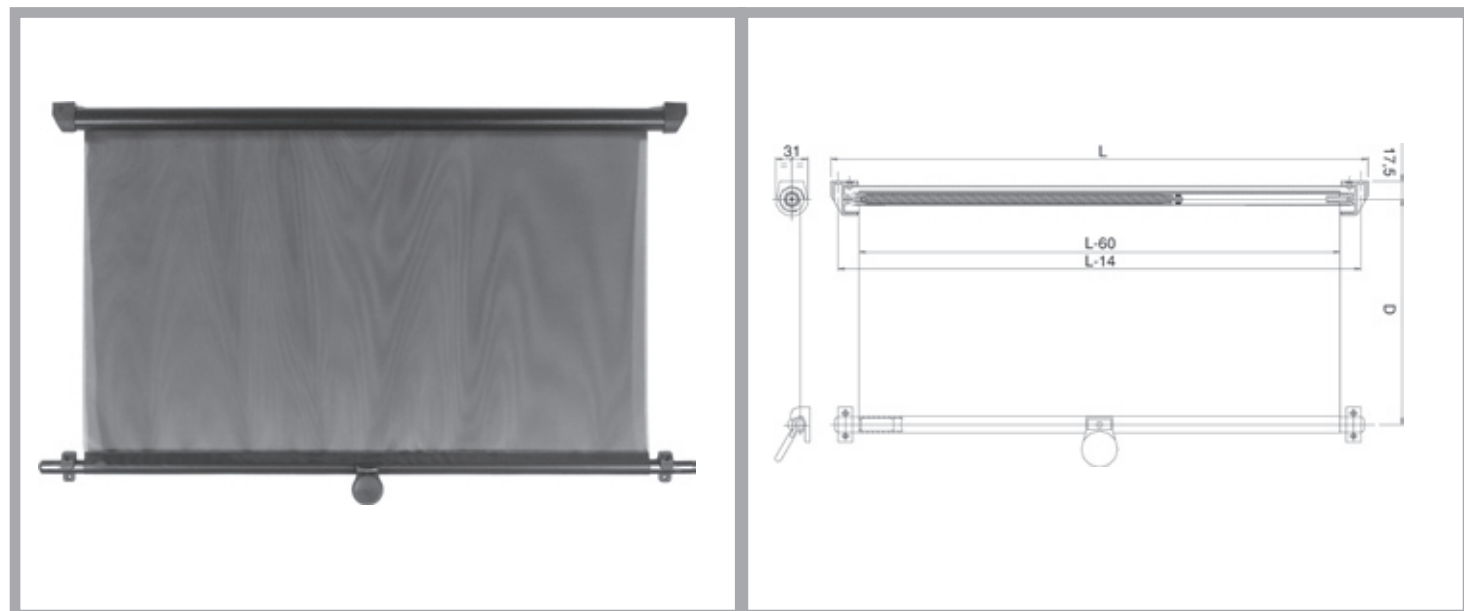
G&C Systems B.V.
Kazemat 7
3905 NR VEENENDAAL
The Netherlands

Phone: +31 (0)318 576744
Fax: +31 (0)318 576733
Internet: www.gnc-systems.com
E-mail: info@gnc-systems.com

Rol gordijnen / Rollosystemen / Roller Blinds

Hoofdstuk 7.2

<u>Rol gordijnen</u>	<u>Rollosysteme</u>	<u>Roller Blinds</u>



STANDARD FEATURES

- Fabric cover tube dimension 25 mm
- The customer has to specify on the order if he wants it to be roof or wall mounted
- Specially indicated for tractors and earth moving machines

TECHNISCHE VERANDERINGEN VOORBEHOUDEN!

TECHNISCHE ANDERUNGEN VORBEHALTEN!

TECHNICAL CHANGES RESERVED!



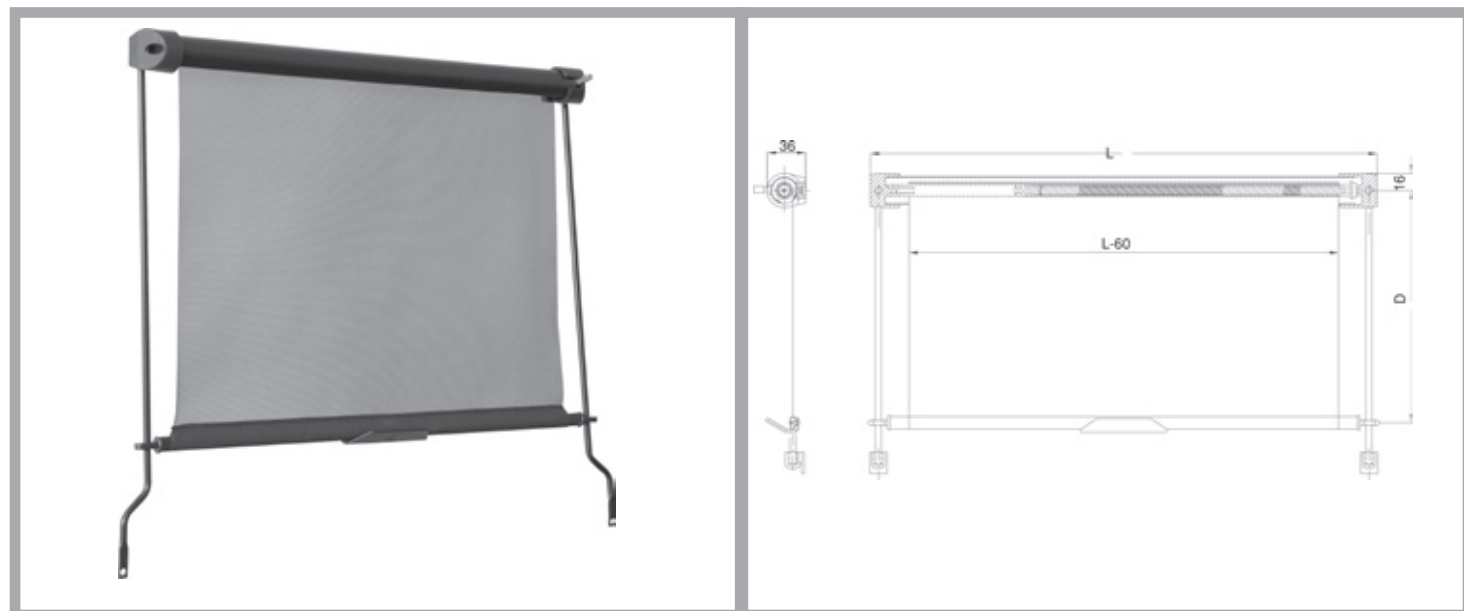
G&C Systems B.V.
Kazemat 7
3905 NR VEENENDAAL
The Netherlands

Phone: +31 (0)318 576744
Fax: +31 (0)318 576733
Internet: www.gnc-systems.com
E-mail: info@gnc-systems.com

Rol gordijnen / Rollosystemen / Roller Blinds

Hoofdstuk 7.3

<u>Rol gordijnen</u>	<u>Rollosysteme</u>	<u>Roller Blinds</u>



STANDARD FEATURES

- Fabric cover tube diameter 25 mm
- A stop lever enables to block the material drop in any position
- The stop lever can be positioned only on RH
- The guide rods can be specially shaped for the customer
- Wall mounting
- Specially indicated for tractors and earth moving machines

TECHNISCHE VERANDERINGEN VOORBEHOUDEN!

TECHNISCHE ANDERUNGEN VORBEHALTEN!

TECHNICAL CHANGES RESERVED!



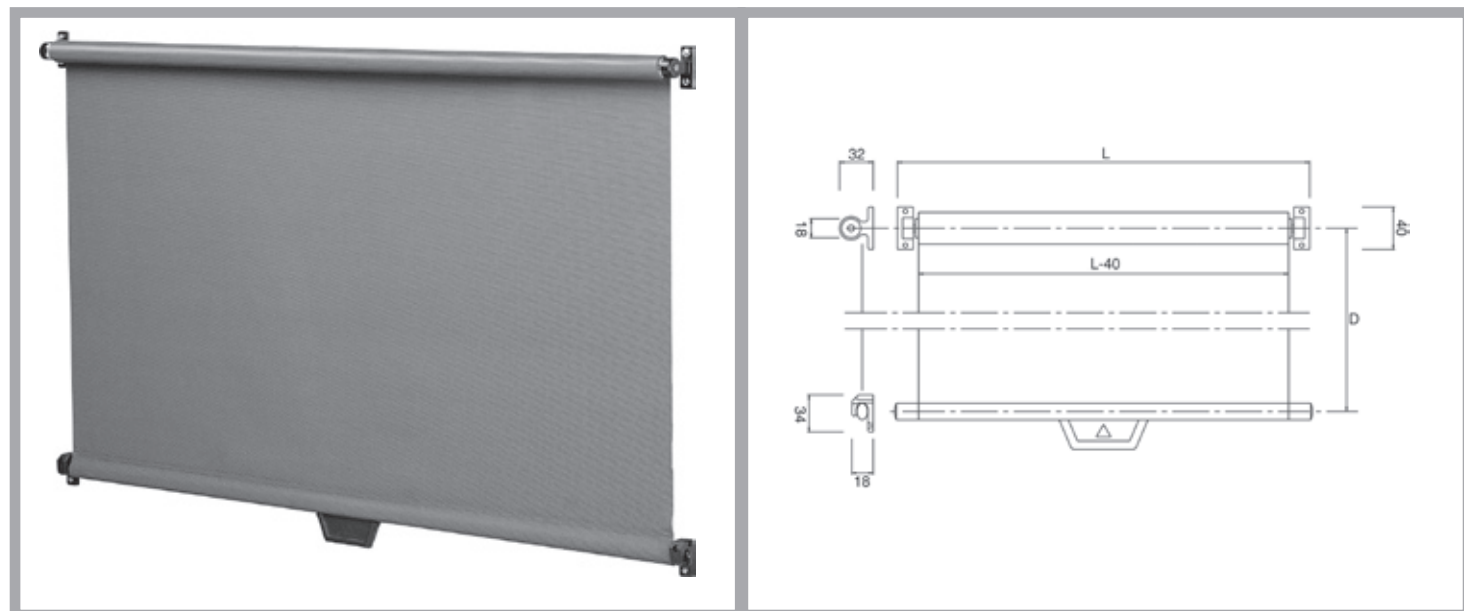
G&C Systems B.V.
Kazemat 7
3905 NR VEENENDAAL
The Netherlands

Phone: +31 (0)318 576744
Fax: +31 (0)318 576733
Internet: www.gnc-systems.com
E-mail: info@gnc-systems.com

Rol gordijnen / Rollosystemen / Roller Blinds

Hoofdstuk 7.4

<u>Rol gordijnen</u>	<u>Rollosysteme</u>	<u>Roller Blinds</u>



STANDARD FEATURES

- Fixation brackets dimensions 40 x 34 mm
- No fabric cover tube
- Specially indicated to fit where there is not much available space for mounting it
- Easy to be mounted
- It can be mounted either on the wall or on the roof without any modification

TECHNISCHE VERANDERINGEN VOORBEHOUDEN!

TECHNISCHE ANDERUNGEN VORBEHALTEN!

TECHNICAL CHANGES RESERVED!



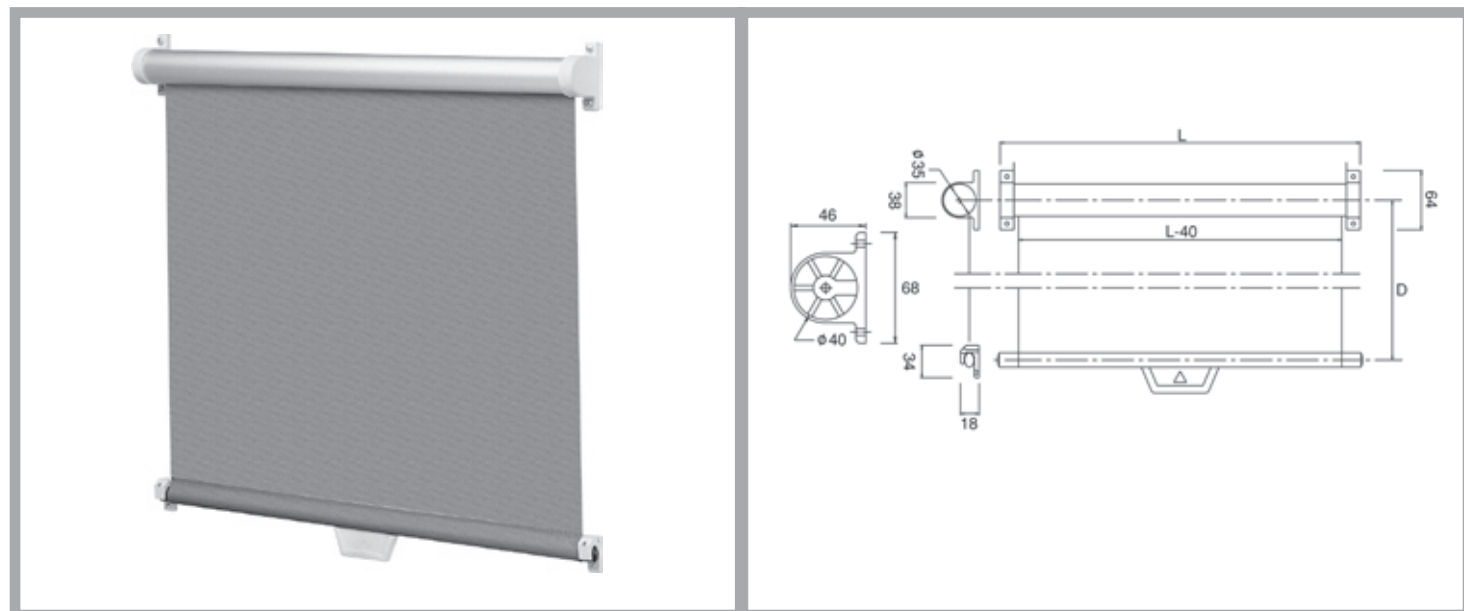
G&C Systems B.V.
Kazemat 7
3905 NR VEENENDAAL
The Netherlands

Phone: +31 (0)318 576744
Fax: +31 (0)318 576733
Internet: www.gnc-systems.com
E-mail: info@gnc-systems.com

Rol gordijnen / Rollosysteme / Roller Blinds

Hoofdstuk 7.5

<u>Rol gordijnen</u>	<u>Rollosysteme</u>	<u>Roller Blinds</u>



STANDARD FEATURES

- Fixation brackets dimensions 64 x 44 mm
- The feet of this article allow this blind to be 10 mm shorter on each side if compared to Art. 27/3
- Fabric cover tube diameter: 35 mm
- Easy to be mounted
- The customer has to specify on the order if he wants it to be roof or wall mounted

TECHNISCHE VERANDERINGEN VOORBEHOUDEN!

TECHNISCHE ANDERUNGEN VORBEHALTEN!

TECHNICAL CHANGES RESERVED!



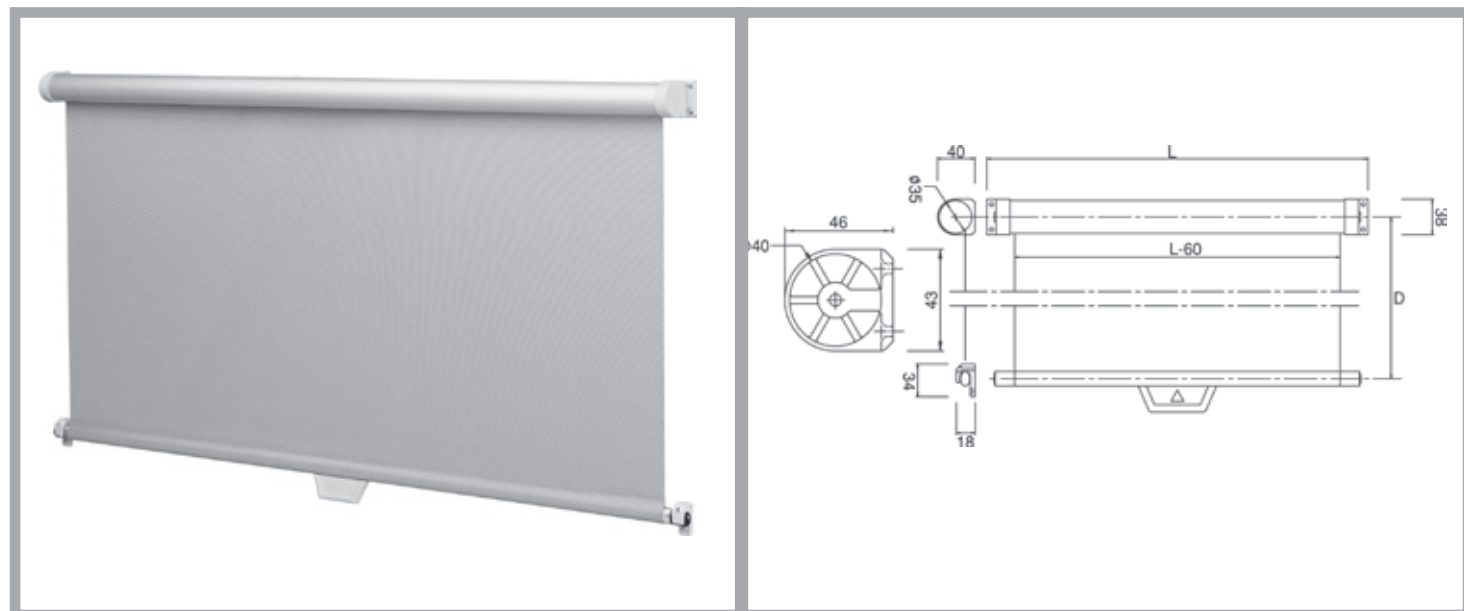
G&C Systems B.V.
Kazemat 7
3905 NR VEENENDAAL
The Netherlands

Phone: +31 (0)318 576744
Fax: +31 (0)318 576733
Internet: www.gnc-systems.com
E-mail: info@gnc-systems.com

Rol gordijnen / Rollosystemen / Roller Blinds

Hoofdstuk 7.6

<u>Rol gordijnen</u>	<u>Rollosysteme</u>	<u>Roller Blinds</u>



STANDARD FEATURES

- Fixation brackets dimensions 44 x 39 mm
- Fabric cover tube diameter: 35 mm
- Easy to be assembled
- The customer has to specify on the order if he wants it to be roof or wall mounted

TECHNISCHE VERANDERINGEN VOORBEHOUDEN!

TECHNISCHE ANDERUNGEN VORBEHALTEN!

TECHNICAL CHANGES RESERVED!



G&C Systems B.V.
Kazemat 7
3905 NR VEENENDAAL
The Netherlands

Phone: +31 (0)318 576744
Fax: +31 (0)318 576733
Internet: www.gnc-systems.com
E-mail: info@gnc-systems.com

Rol gordijnen / Rollosystemen / Roller Blinds

Hoofdstuk 7.7