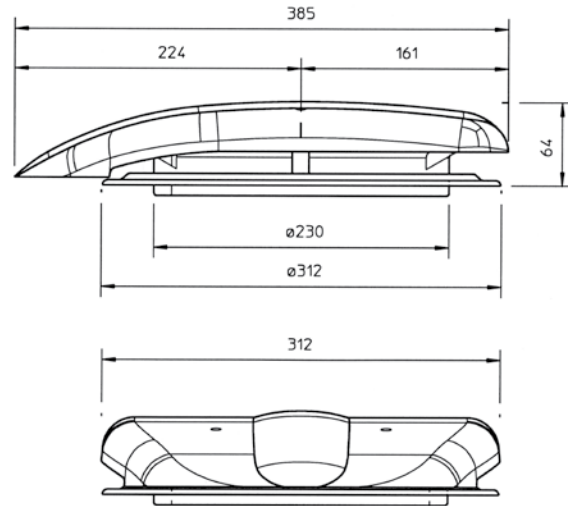
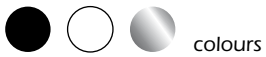


Rooftop ventilator



“LE MANS”

EMC APPROVED



OPTIONAL

- Speed control
- Switch
- Internal ventilation valve
- Snow filter

TECHNICAL DETAILS

Part. No.	Voltage V	Air flow m ³ /h	Watt W	Nominal speed RPM	Noise level DB(A)	Function Suction/Blowing	Rooftop opening mm
02-2200	12	850	80	2600	52	Suction/Blowing	230 / 245
02-2200-ZW	12	850	80	2600	52	Suction/Blowing	230 / 245
02-2300	24	850	80	2600	52	Suction/Blowing	230 / 245
02-2300-ZW	24	850	80	2600	52	Suction/Blowing	230 / 245
02-2900	without motor						230 / 245

Part. No.	Material Roofing		Material Cover		
02-2200	ABS/White	RAL 9010	PA6/White	RAL 9010	
02-2200-ZW	ABS/White	RAL 9010	PA6/Black	RAL 9005	
02-2300	ABS/White	RAL 9010	PA6/White	RAL 9010	
02-2300-ZW	ABS/Black	RAL 9005	PA6/Black	RAL 9005	
02-2900	ABS/White	RAL 9010	PA6/White	RAL 9010	