

Roof Hatches

530 x 530

- Glass Dome homologated ECE 43R
- Manual and Electric
- Homologated according EC 2004/104
- Suits roof thickness 30mm-70mm
- Internal frame easy to mount in outside frame
- Pre-drilled mounting holes in outside frame

Electric 530 x 530



Manual 530 x 530



Roof Hatches



Manual 970 x 530

970 x 530

- Emergency exit according EC2001/85
- Manual and Electric
- Glass Dome homologated ECE 43R
- Homologated according EC 2004/104
- Suits roof thickness 30mm-70mm
- Internal frame easy to mount in outside frame
- Pre-drilled mounting holes in outside frame
- With breakglass hammer

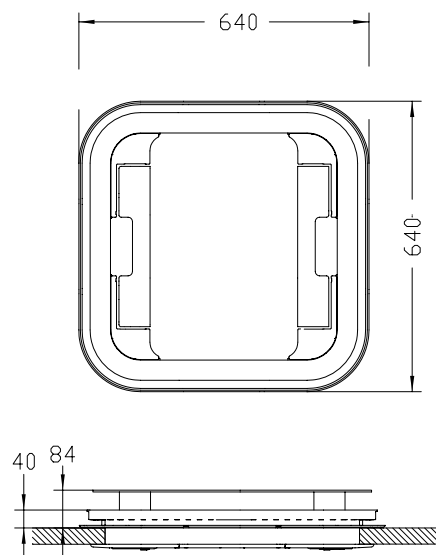


Electric 970 x 530





Roof Hatches



MANUAL 530 X 530



colour

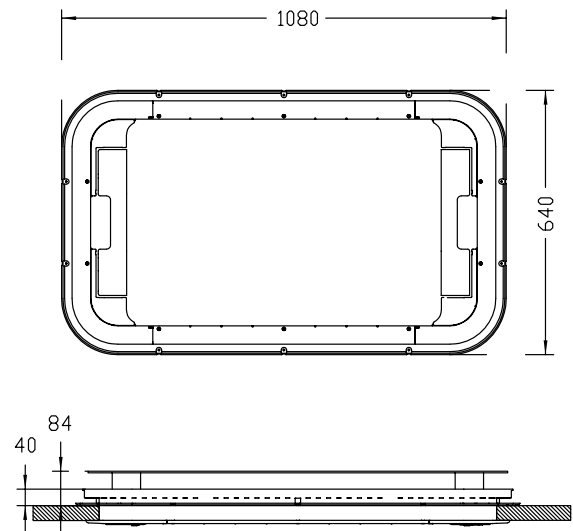
REMARKS

- Glass Dome homologated ECE 43R
- Glass Dome homologated ECE 43R
- Suits roof thickness 30mm - 70mm
- High Quality Gaskets
- Internal frame easy to mount in outside frame
- Pre-drilled mounting holes in outside frame

TECHNICAL DETAILS

| Part. No. | Description | Aperture Size | Radius | Glass |
|----------------|------------------------------|---------------------------------------|--------|---|
| 90-5000-DG-LUS | Roof Hatch Manual Dark Glass | 530 ⁺⁵ x 530 ⁺⁵ | R80 | UV Transmission 6%, Heat Transmission 16%, Light Transmission 17% |

Roof Hatches



MANUAL 970 X 530



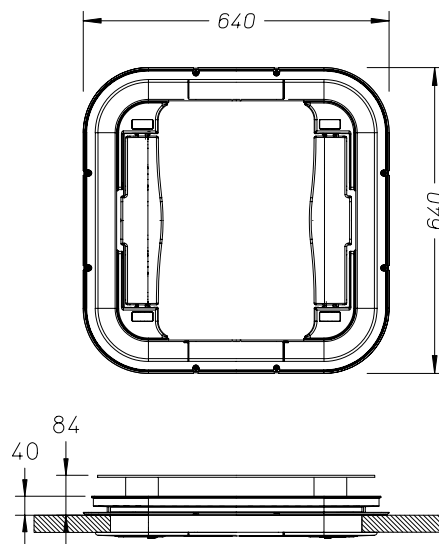
REMARKS

- Emergency exit according EC2001/85
- Glass Dome homologated ECE 43R
- Suits roof thickness 30mm - 70mm
- High Quality Gaskets
- Internal frame easy to mount in outside frame
- Pre-drilled mounting holes in outside frame
- With breakglass hammer

TECHNICAL DETAILS

| Part. No. | Description | Aperture Size | Radius | Glass |
|----------------|------------------------------|--|--------|---|
| 90-6000-DG-LUS | Roof Hatch Manual Dark Glass | 970 ⁺¹⁰ ₋₀ x 530 ⁺⁵ ₋₀ | R80 | UV Transmission 6%, Heat Transmission 16%, Light Transmission 17% |

Roof Hatches



ELECTRIC 530 X 530

EMC APPROVED



colour

REMARKS

- Glass Dome homologated ECE 43R
- Dark tinted glass
- Homologated according EC 2004/104
- Suits roof thickness 30mm - 70mm
- High Quality Gaskets
- Internal frame easy to mount in outside frame
- Pre-drilled mounting holes in outside frame

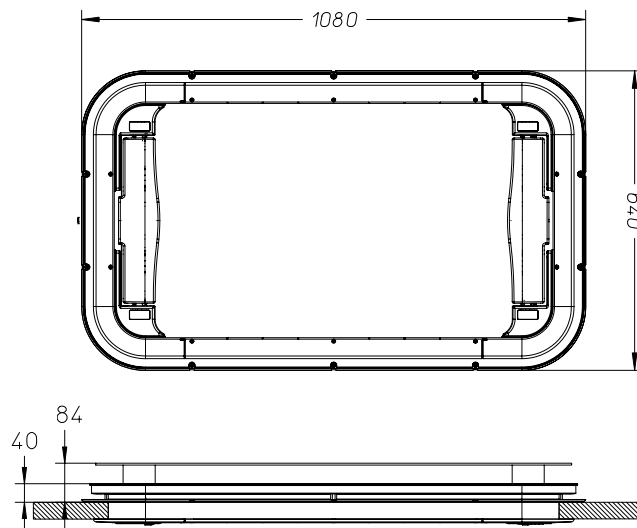
TECHNICAL DETAILS

| Part. No. | Description | Aperture Size | Radius | Glass |
|-----------|------------------------------|---------------------------------------|--------|---|
| 90-5000-E | Roof Hatch Electric 24 Volt* | 530 ⁺⁵ x 530 ⁺⁵ | R80 | UV Transmission 6%, Heat Transmission 16%, Light Transmission 17% |

* For 12 Volt application, use our 12V to 24V Converter (89-STEP12-24)

Use always our control unit 30-6000 in combination with the Electric Roof Hatch!

Roof Hatches



ELECTRIC 970 X 530

EMC APPROVED



REMARKS

- Glass Dome homologated ECE 43R
- Emergency exit according EC2001/85
- Glass Dome homologated ECE 43R
- Standard Dark tinted glass
- Homologated according EC 2004/104
- Suits roof thickness 30mm - 70mm
- High Quality Gaskets
- Internal frame easy to mount in outside frame
- Pre-drilled mounting holes in outside frame
- With breakglass hammer

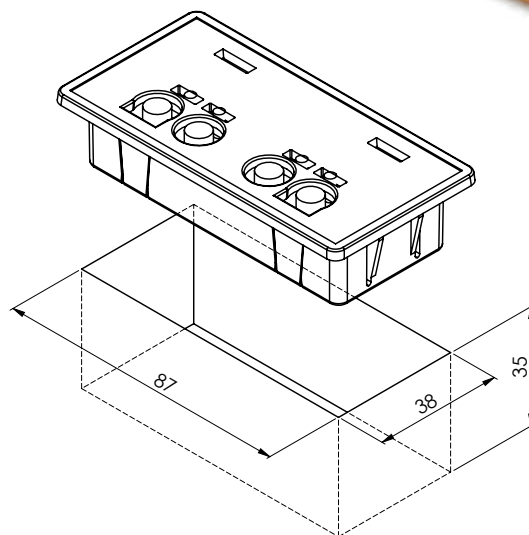
TECHNICAL DETAILS

| Part. No. | Description | Aperture Size | Radius | Glass |
|-----------|------------------------------|--|--------|---|
| 90-6000-E | Roof Hatch Electric 24 Volt* | 970 ⁺¹⁰ x 530 ⁺⁵ | R80 | UV Transmission 6%, Heat Transmission 16%, Light Transmission 17% |

* For 12 Volt application, use our 12V to 24V Converter (89-STEP12-24)

Use always our control unit 30-6000 in combination with the Electric Roof Hatch!

Roof Hatches



CONTROL UNIT

EMC APPROVED



colour

REMARKS

- Homologated according EC 2004/104
- The unit 30-6000 can control one or two electrical operated roof hatches
- To open/close front and backside of the roof hatch
- The position of the dome can be seen on the display (green Led's)
- The unit closes automatically when the ignition key is turned off
- Even when the ignition key is off, the hatch can be opened for ventilation
- The panel display has a current save function, reacting to usage
- Illumination with Orange Led's for the push buttons

TECHNICAL DETAILS

| Part. No. | Description | Voltage V | Outside Dimensions |
|-----------|---|--------------|--------------------|
| 30-6000 | Control Unit 24 Volt for Electric Roofhatch | 24* | 96 x 49 x 28mm |

* For 12 Volt application, use our 12V to 24V Converter (89-STEP12-24)