
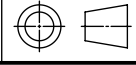


Version	Mod.Date	Name	Discription
	4-3-2016	J.Vis	

MATERIAL	COLOR	SURFACE FINISH	REMARK															
 <small>Bultervaart 1603A 7905 SL Hooogeveen Tel : 0528-230619 Fax : 0528-230649 E-mail : info@jvs-3d.nl internet: www.jvs-3d.nl</small>	GENERAL ROUGHNESS 3.2 ✓	AMERICAN PROJECTION 	TITLE															
	GENERAL TOLERANCE UNLESS OTHERWISE SPECIFIED DIMENSION ON 0 = ±0.5 DIMENSION ON 0.0 = ±0.1 DIMENSION ON 0.00 = ±0.01		<table border="1"> <tr> <td>DRAWN:</td> <td>J.Vis</td> <td rowspan="4"> <small>ALL RIGHTS RESERVED. REPRODUCTIONS OR ISSUE TO THIRD PARTIES IN ANY FORM WHETHER IS NOT PERMITTED WITHOUT WRITTEN AUTHORITY FROM THE PROPRIETOR.</small> </td> </tr> <tr> <td>DEP.</td> <td>Engineering</td> </tr> <tr> <td>SCALE:</td> <td>1:1</td> </tr> <tr> <td>UNITS:</td> <td>mm</td> </tr> <tr> <td>DATA:</td> <td>4-3-2016</td> <td> <table border="1"> <tr> <td>NUMBER:</td> <td>Assembly-Turbo</td> <td>VERSION:</td> <td>III-minifan</td> </tr> </table> </td> </tr> </table>	DRAWN:	J.Vis	<small>ALL RIGHTS RESERVED. REPRODUCTIONS OR ISSUE TO THIRD PARTIES IN ANY FORM WHETHER IS NOT PERMITTED WITHOUT WRITTEN AUTHORITY FROM THE PROPRIETOR.</small>	DEP.	Engineering	SCALE:	1:1	UNITS:	mm	DATA:	4-3-2016	<table border="1"> <tr> <td>NUMBER:</td> <td>Assembly-Turbo</td> <td>VERSION:</td> <td>III-minifan</td> </tr> </table>	NUMBER:	Assembly-Turbo	VERSION:
DRAWN:	J.Vis	<small>ALL RIGHTS RESERVED. REPRODUCTIONS OR ISSUE TO THIRD PARTIES IN ANY FORM WHETHER IS NOT PERMITTED WITHOUT WRITTEN AUTHORITY FROM THE PROPRIETOR.</small>																
DEP.	Engineering																	
SCALE:	1:1																	
UNITS:	mm																	
DATA:	4-3-2016	<table border="1"> <tr> <td>NUMBER:</td> <td>Assembly-Turbo</td> <td>VERSION:</td> <td>III-minifan</td> </tr> </table>	NUMBER:	Assembly-Turbo	VERSION:	III-minifan												
NUMBER:	Assembly-Turbo	VERSION:	III-minifan															